

2x2/4x4 LED Panel Luminaires for Ambient Lighting of Interior Commercial Spaces / Indoor, Troffers, 2x2/2x4 Luminaires



40W 2' x 2'

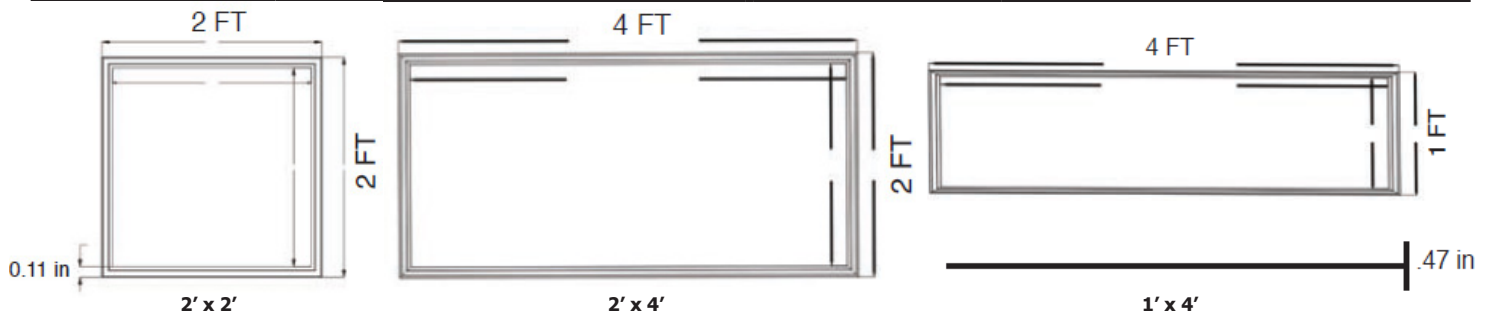


50W 2' x 4'

Model Number	PIC Code	Wattage	Lumen	Dimmable	Dimension
P1-40W-XDZ	PR40-1	40W	4,400 LM	0 ~ 10V Dimming	305mm x 1212mm Thickness: 11mm
P4-40W-XDS	PR40-2	40W	4,400 LM	0 ~ 10V Dimming	603mm x 603mm Thickness: 8mm
P7-50W-XDS	PR50	50W	5,500 LM	0 ~ 10V Dimming	603mm x 1212mm Thickness: 11mm

COMMON SPEC:

CCT	4,000K, 5,000K	Operation Temperature	-30° ~ -40°
Beam Angle	120°	Efficiency	>110 LPW
Input Voltage	AC100~277V / AC100~382V	Power Factor	>0.99
CRI	>80	Rated Life	50,000 hours
Input Frequency	50 / 60Hz	Luminous Efficiency	>130 LM/W
PC Cover	Frosted	Luminaire Efficiency	>92%
Power Supply Efficiency	92%	Operating Temperature	-20 ~ 50°C
Main Material	Aluminium Base + Aluminium Housing	Driver	Meanwell driver and James Driver



Model NO.	PIC Code	Watts	MSRP	PG&E Code
P1-40W-XDZ	PR40-1	40W	\$79.00	LT051
P4-40W-XDS	PR40-2	40W	\$85.00	LT047
P7-50W-XDS	PR-50	50W	\$125.00	LT043

How to Order:

For Volume Discount, and Utility Rebate Program, please call.

Minimum Order Quantity Required: 20 pcs
Free Shipping for California Customers Only