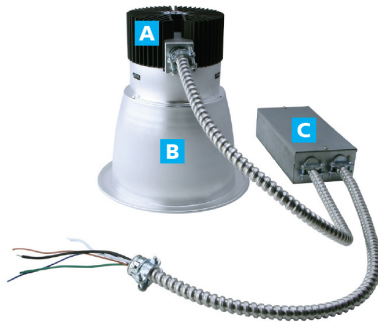
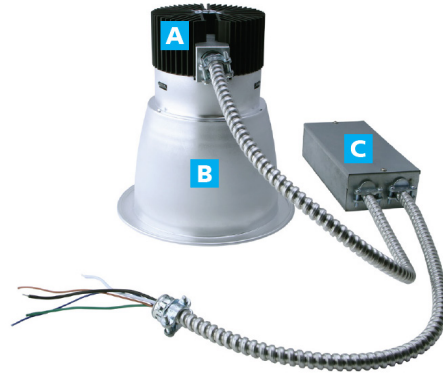


Down Light - 6" & 10"

Accent and Directional Fixtures



6 inch / 20W

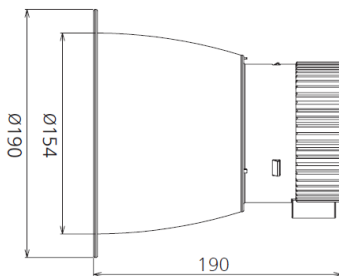


10 inch / 42W

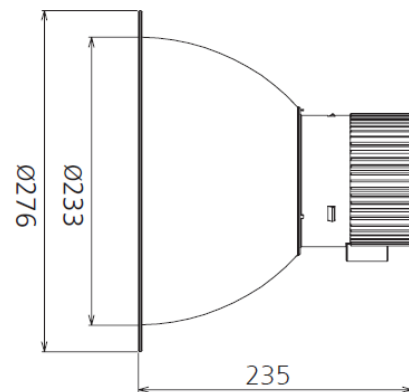
Model Number	PIC Code	Watts	Lumen	Efficiency	Total Load Wattage	Rated Input Current	Dimming Range	Output Current Range	Rated Input Current
DL36-20W	DL-20	20W	1,400 LM ~ 1,600 LM	≥86%	20W ± 5%	480mA	10% ~ 100%	480mA ± 5%	≤0.25A
DL36-42W	DL-42	42W	3,200 LM ~ 3,500 LM	≥85%	42W ± 5%	1000mA	8% ~ 100%	1000mA ± 5%	≤0.5A

COMMON SPECS:

Voltage	AC100 ~ 277V	CCT	2,700K, 3,000K, 3,600K, 5,000K
Power Factor	≥0.9	CRI	≥83
Beam Angle	40°	Dimmable	Yes
Lifespan	36,000 H	LED	CREE COB
Frequency	50/60Hz	Input Voltage	AC90 ~ 305V
Full Load Output Coltage	DC35 ~ 38V	Power Tolerance	±5%
Current Output Tolerance	±5%	Dimmer	0V ~ 10V Dimmers
Short Circuit Protection	Pass	Over Voltage Protection	Pass
Over Temperature Protection	Pass	Withstand Voltage	AC3750V



6"



10"

Model NO.	PIC Code	Watts	MSRP	PG&E Code
DL36-20W	DL-20	20W	\$93	LD141
DL36-42W	DL-42	42W	\$144	LD146

How to Order:

For Volume Discount, and Utility Rebate Program, please call us.